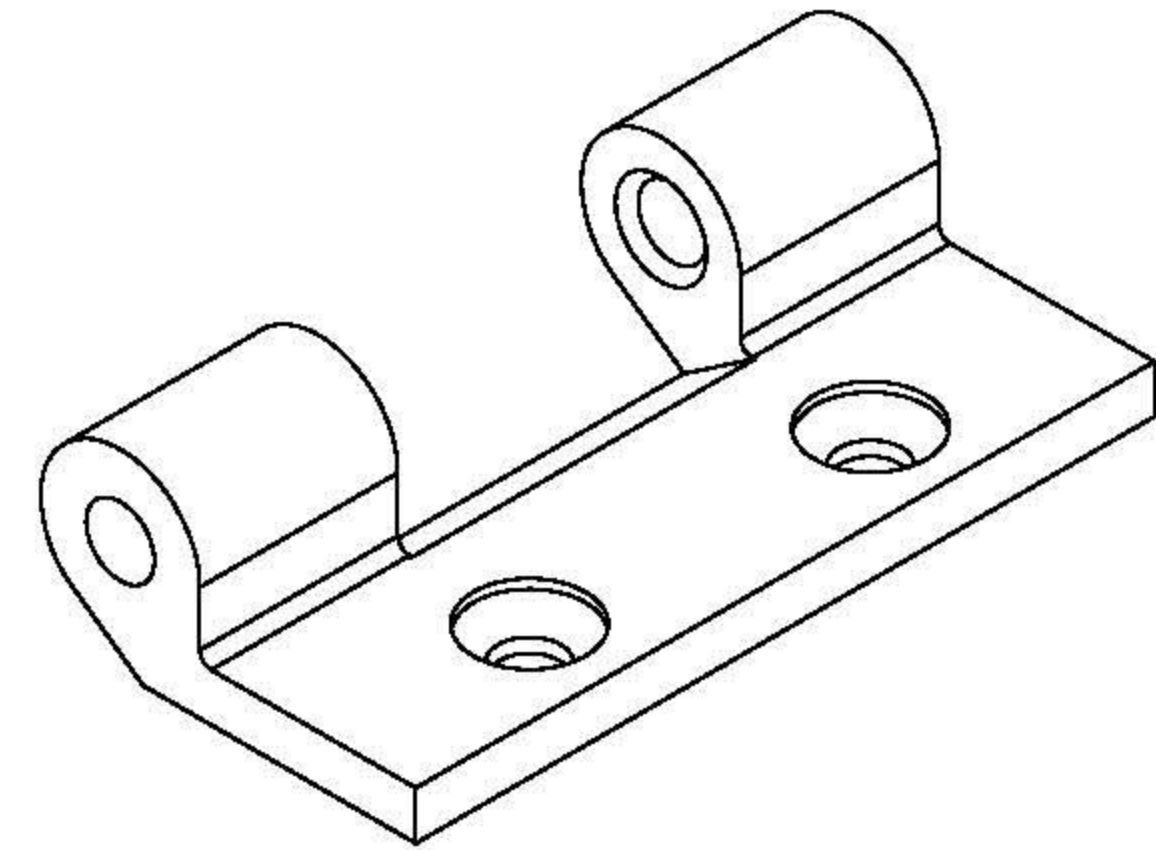
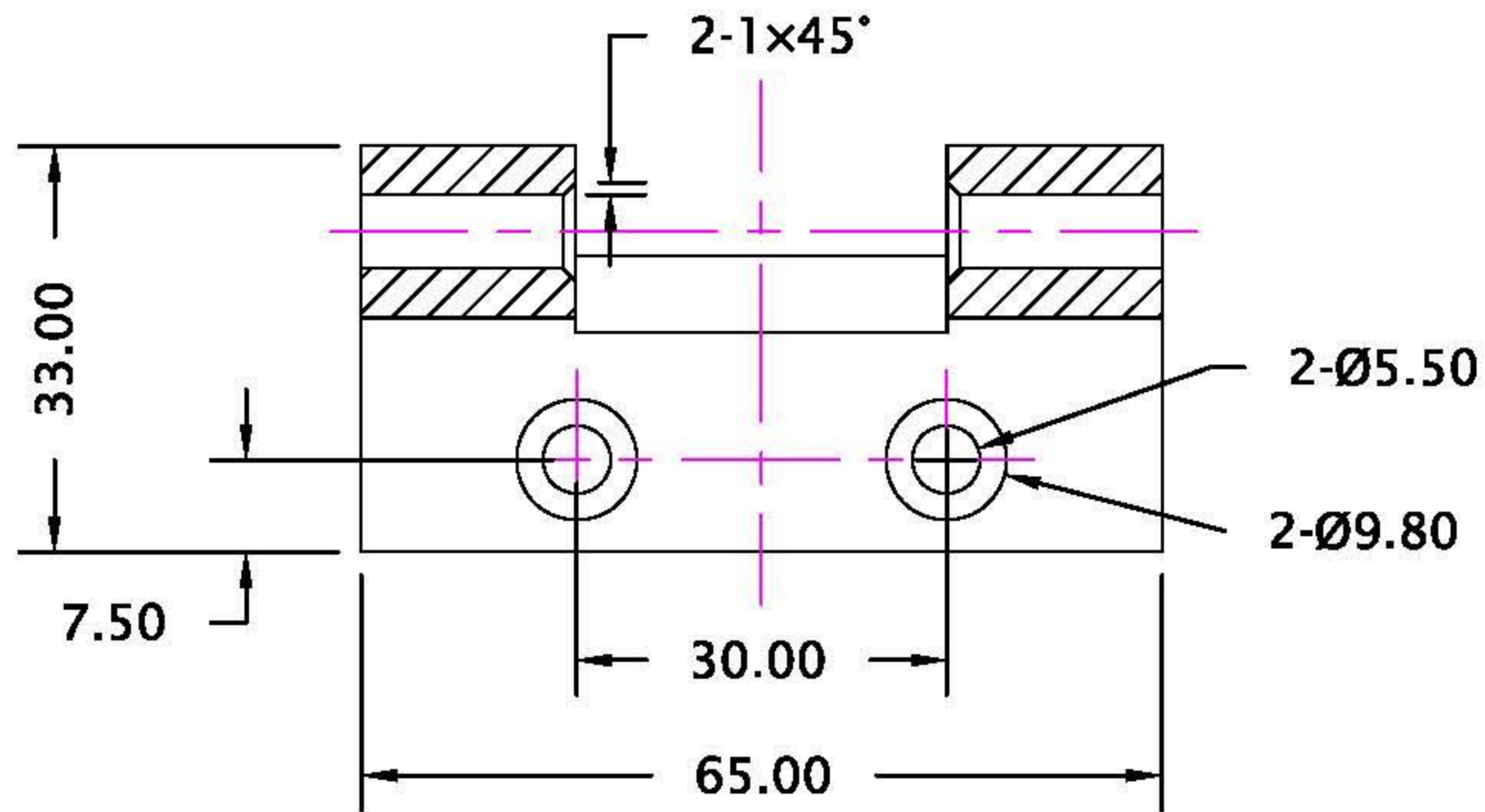
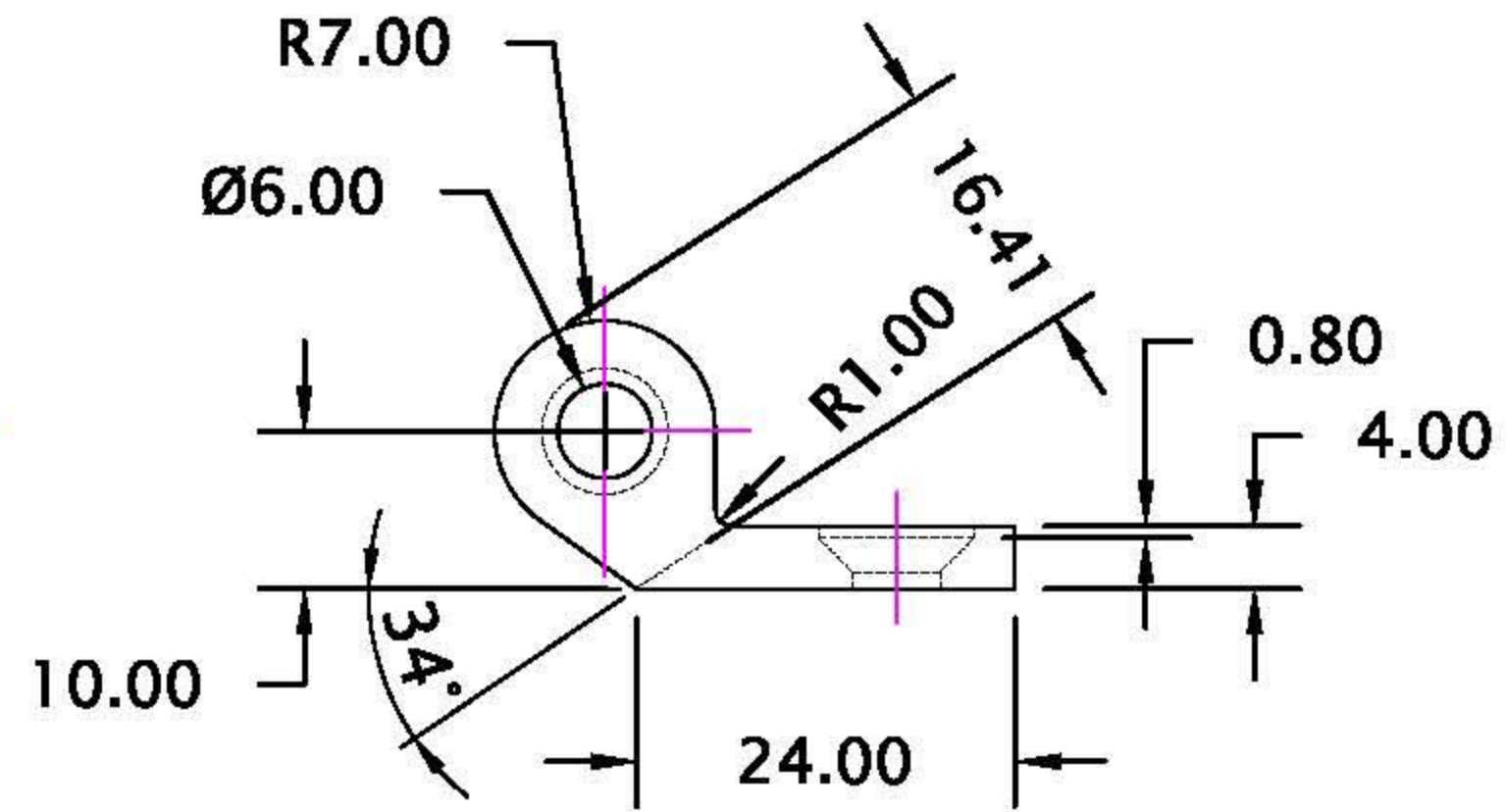
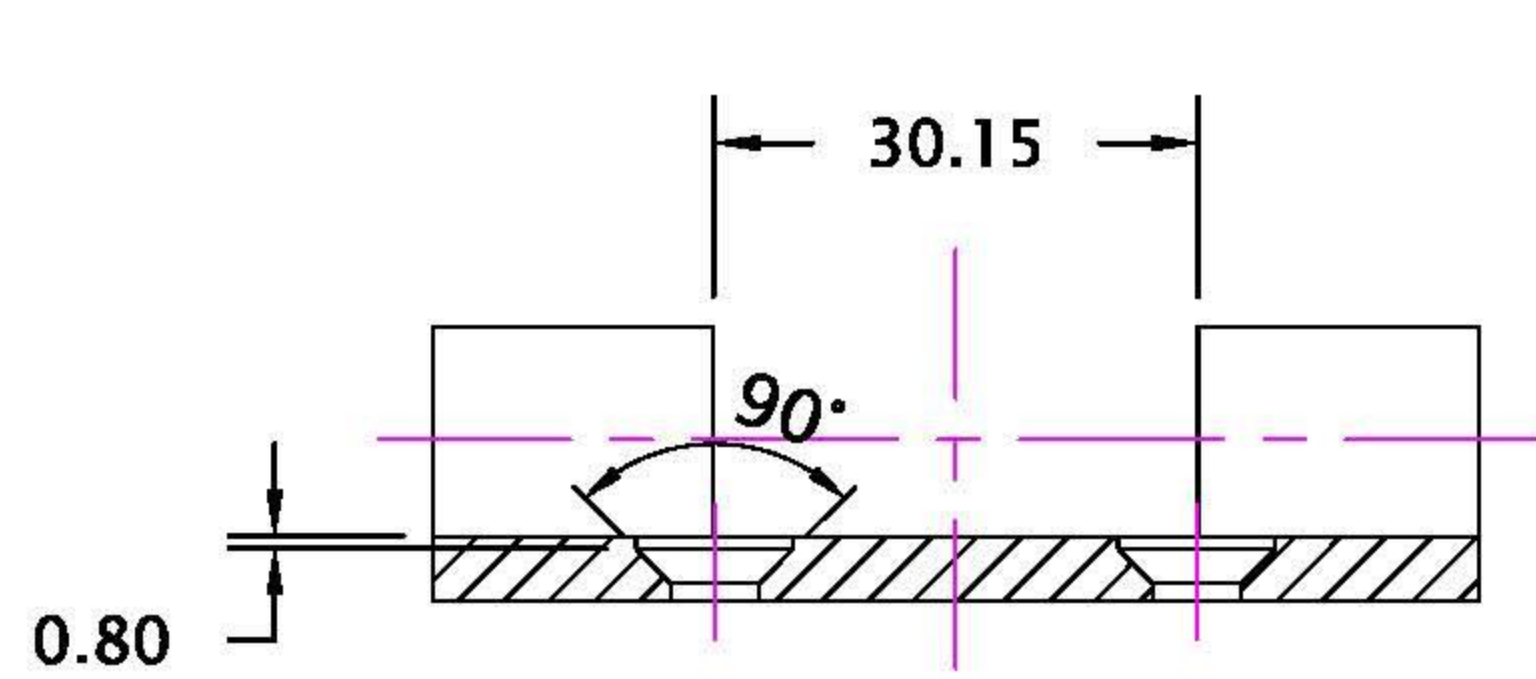
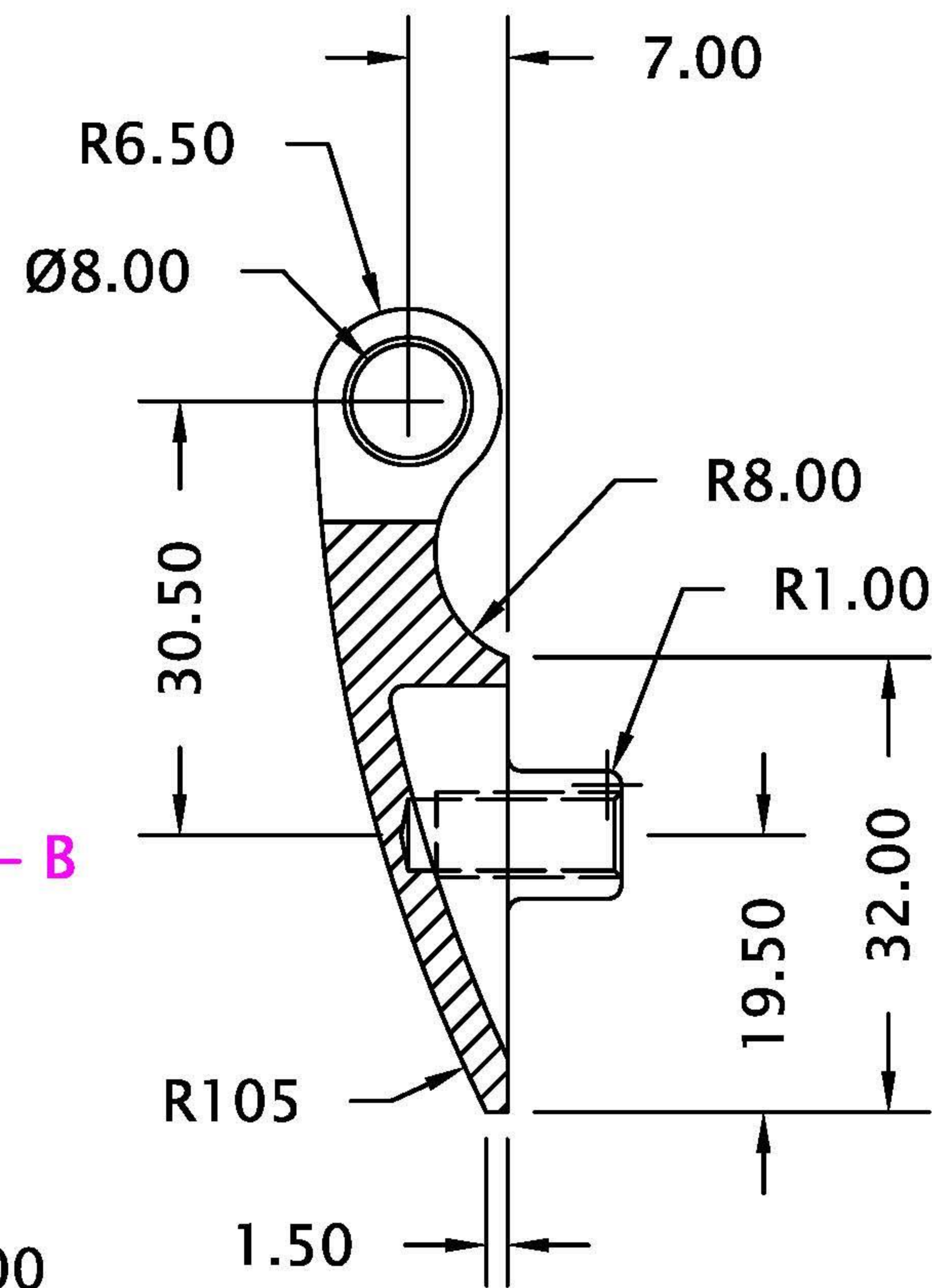
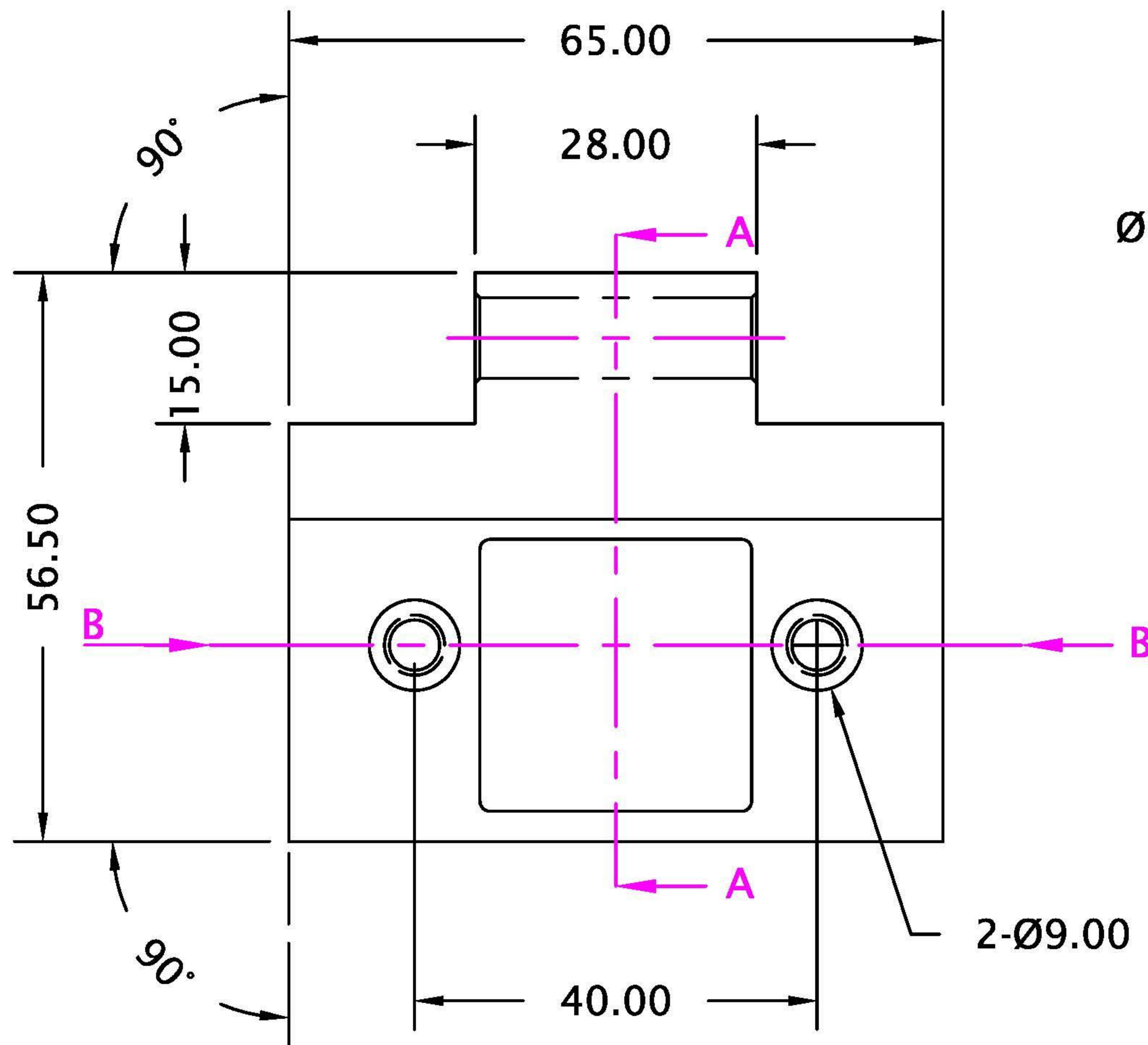


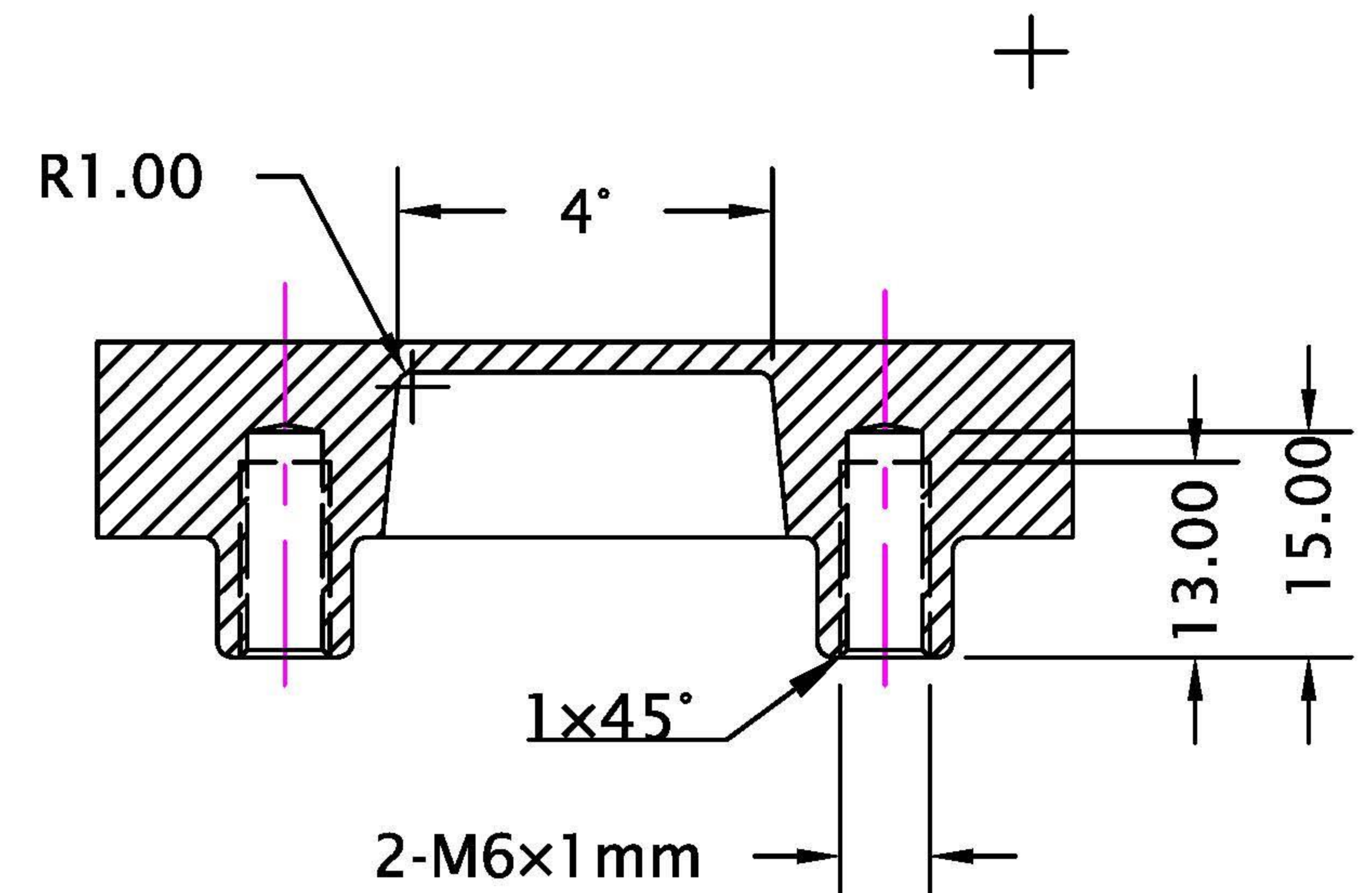
Tolerances (Unless otherwise stated)	
Linear	± 1 mm
Angular	± 1
Holes	+ 1 mm, - 0.0mm
Material:	Brass
Finish:	
Volume:	67263.6672
Weight:	0.6kg



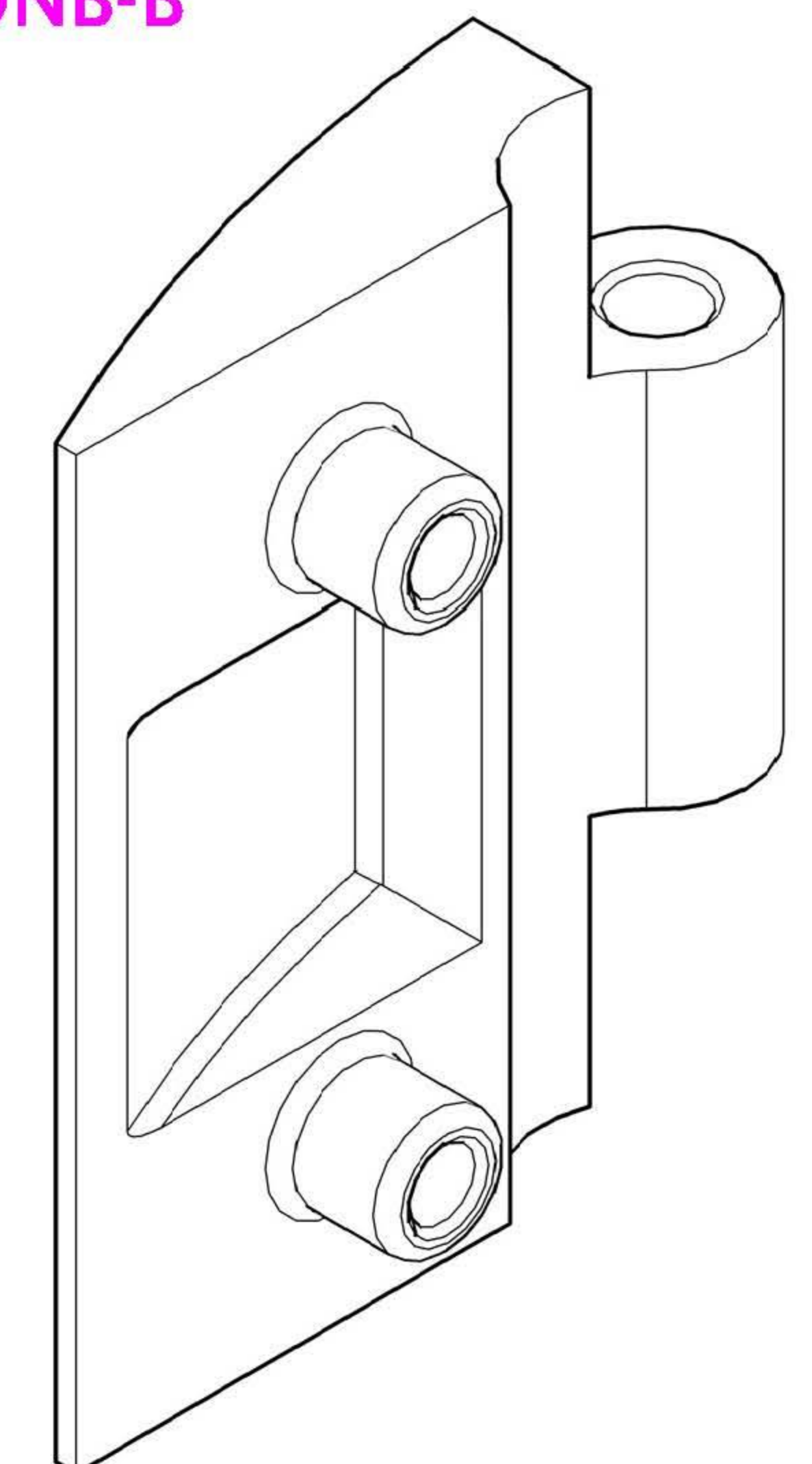
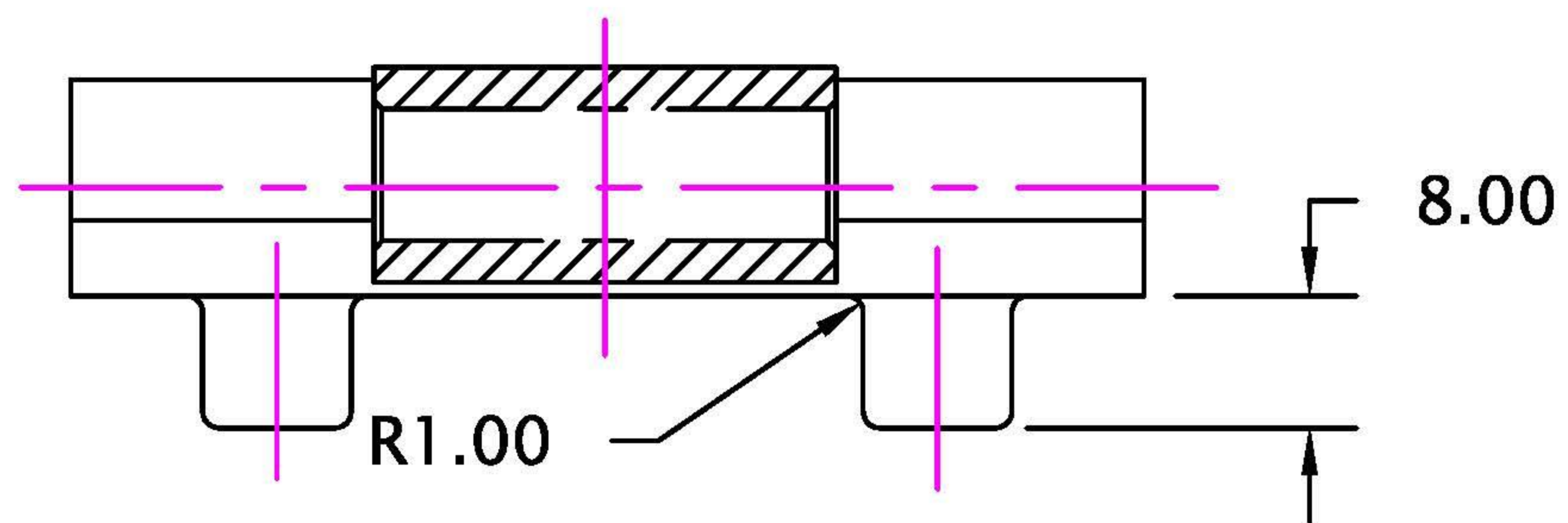
Tolerances (Unless otherwise stated)	
Linear	± 1 mm
Angular	± 1
Holes	+ 1 mm, - 0.0mm
Material:	Brass
Finish:	
Volume:	67263.6672
Weight:	0.6kg



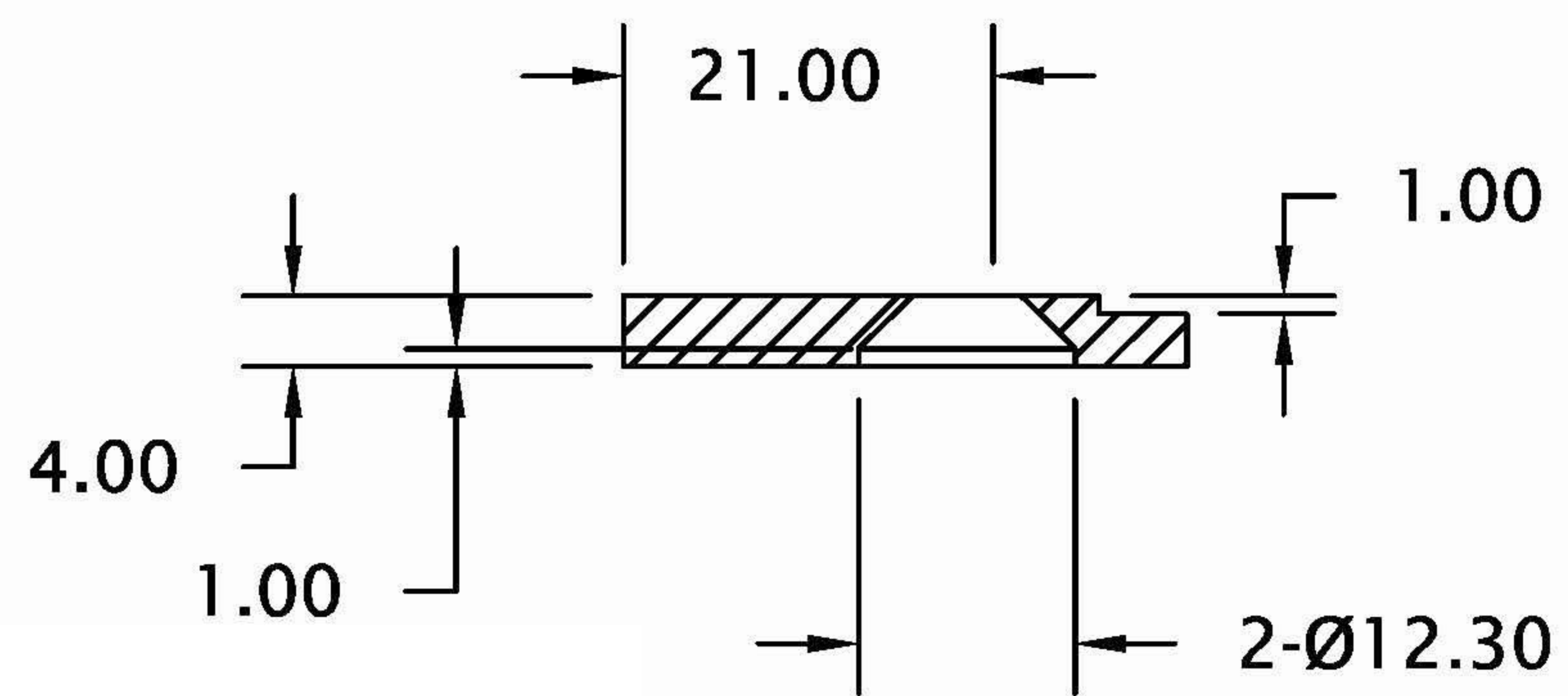
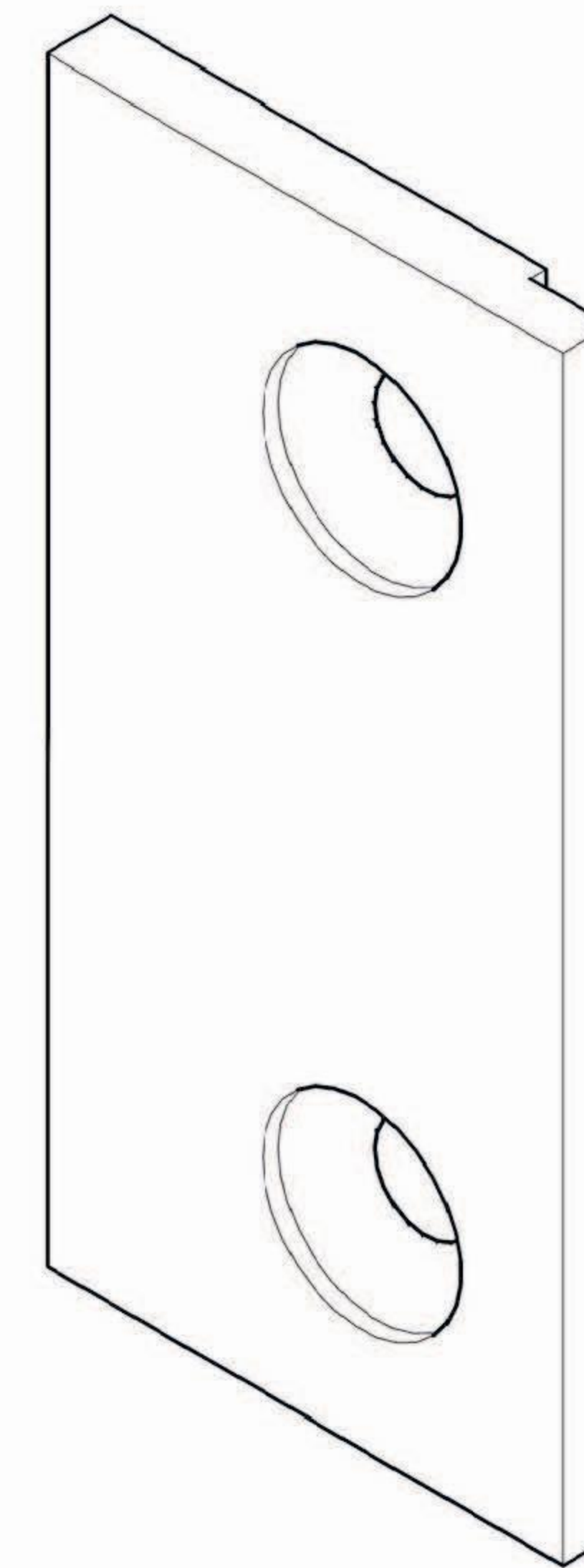
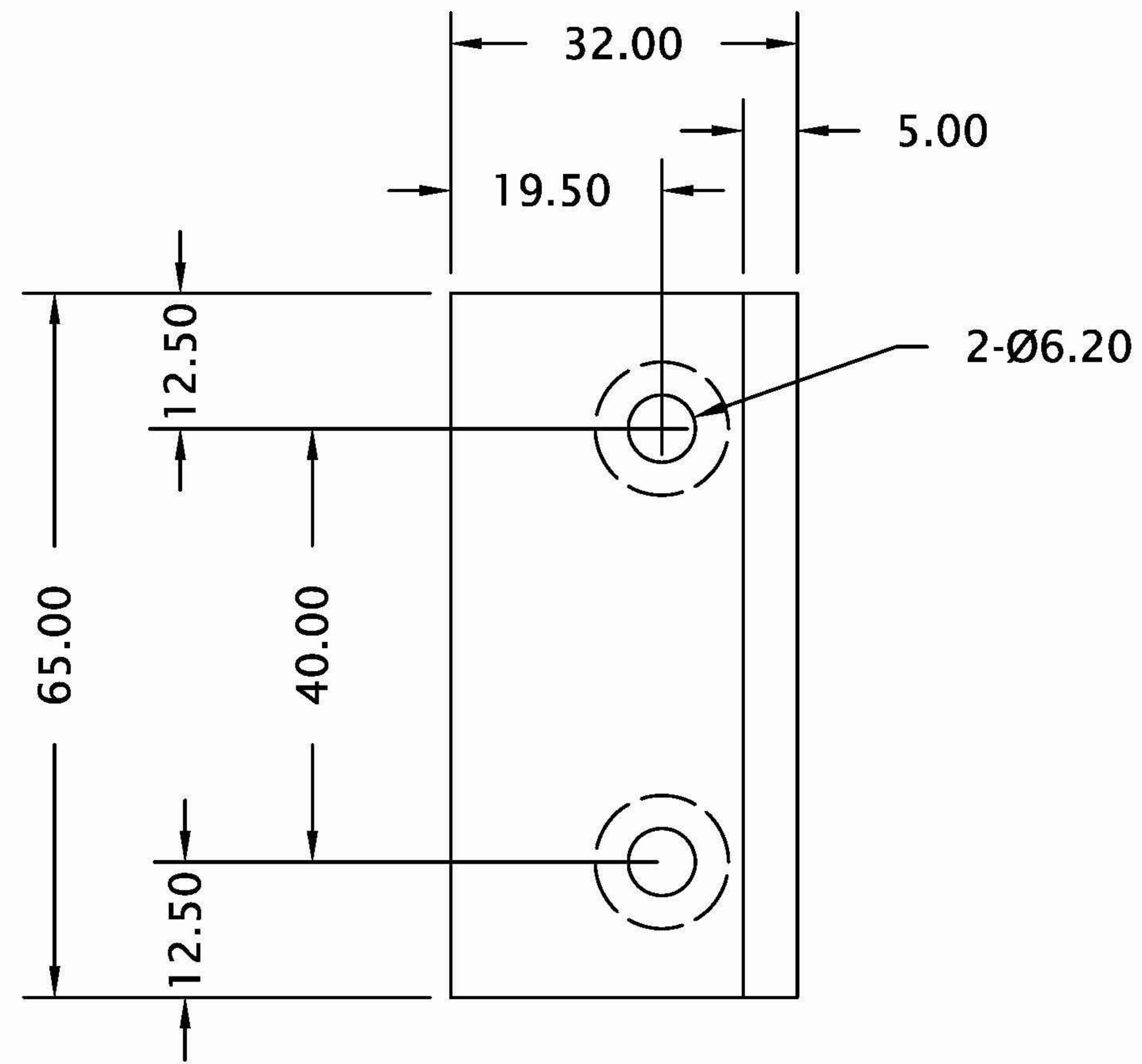
SECTION A-A



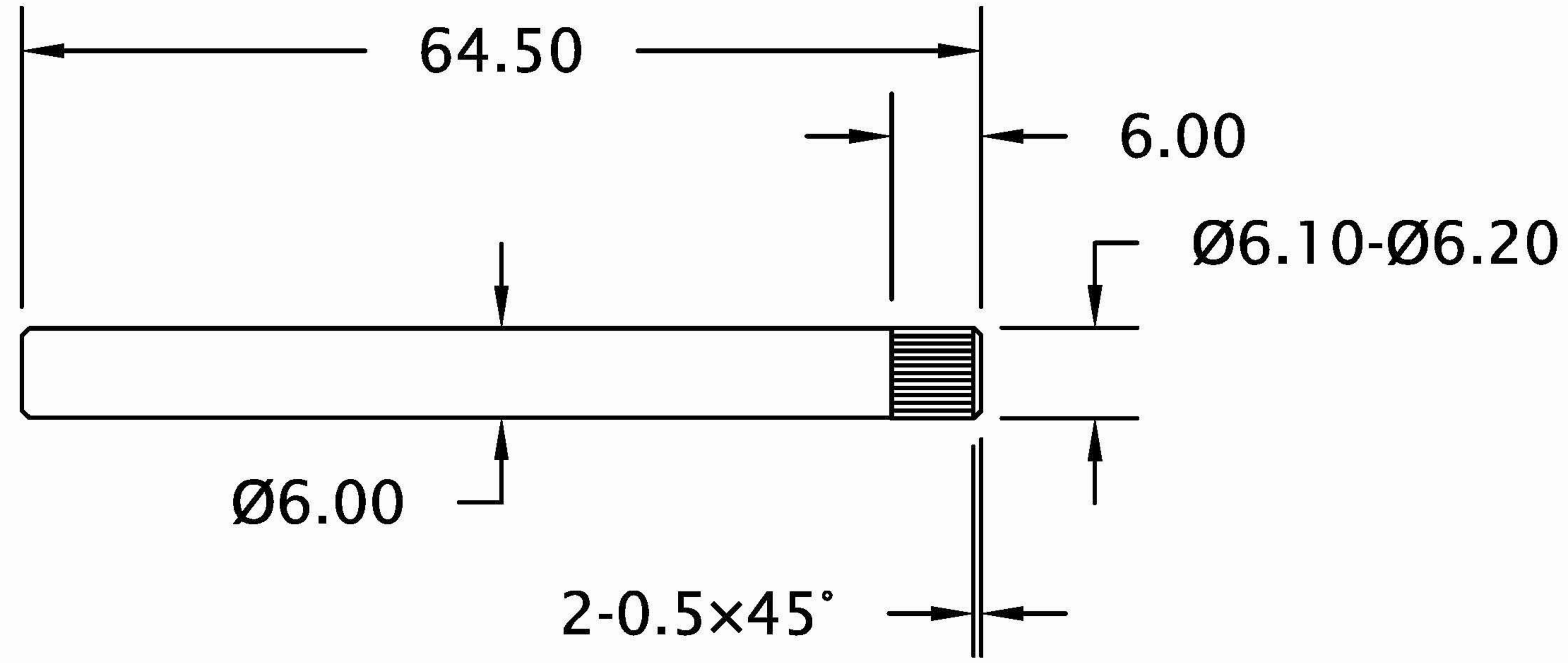
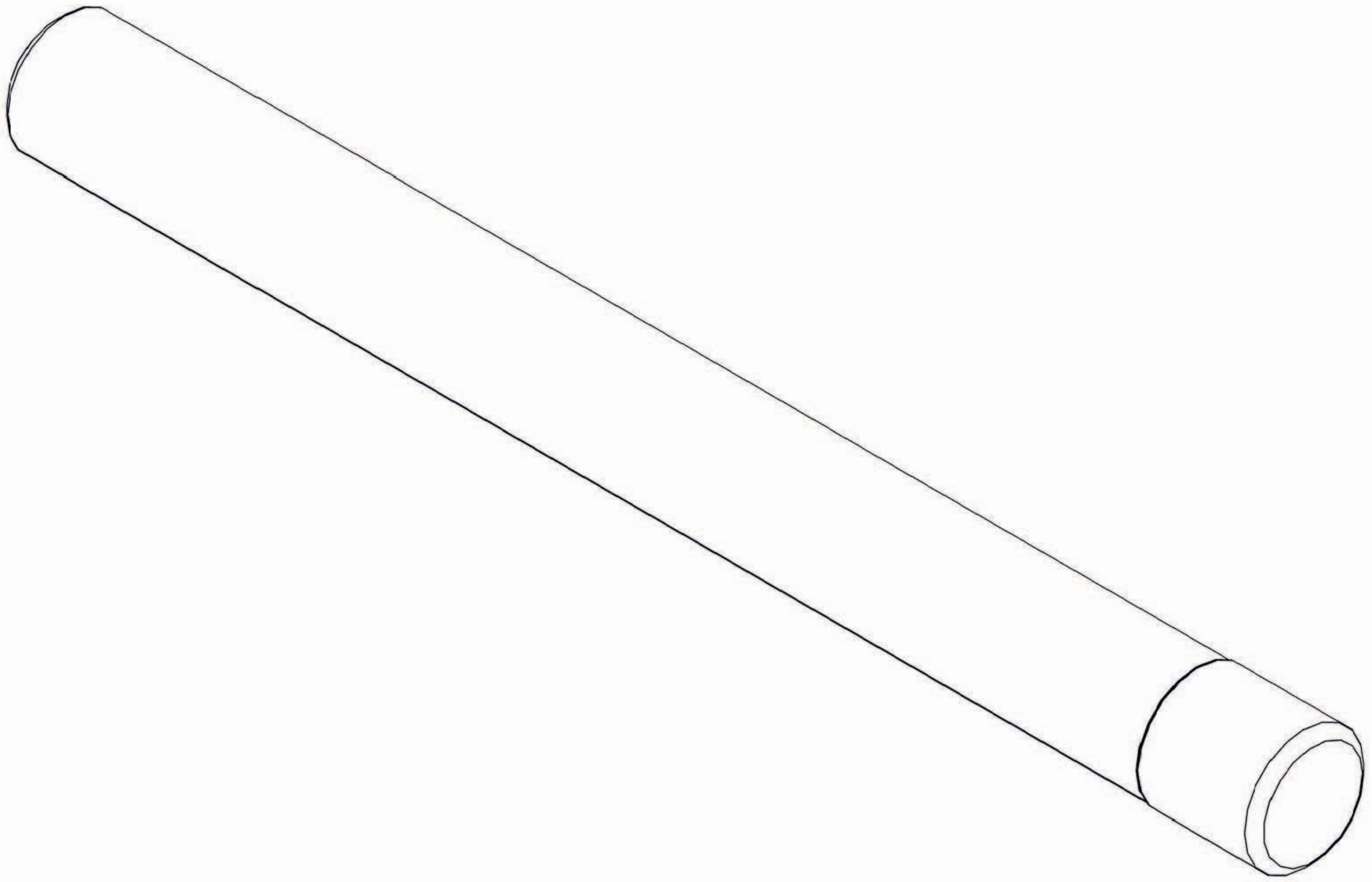
SECTION B-B



Tolerances (Unless otherwise stated)	
Linear	± 1 mm
Angular	± 1
Holes	+ 1 mm, - 0.0mm
Material:	Brass
Finish:	
Volume:	67263.6672
Weight:	0.6kg



Tolerances (Unless otherwise stated)	
Linear	± 1 mm
Angular	± 1
Holes	+ 1 mm, - 0.0mm
Material:	Brass
Finish:	
Volume:	67263.6672
Weight:	0.6kg

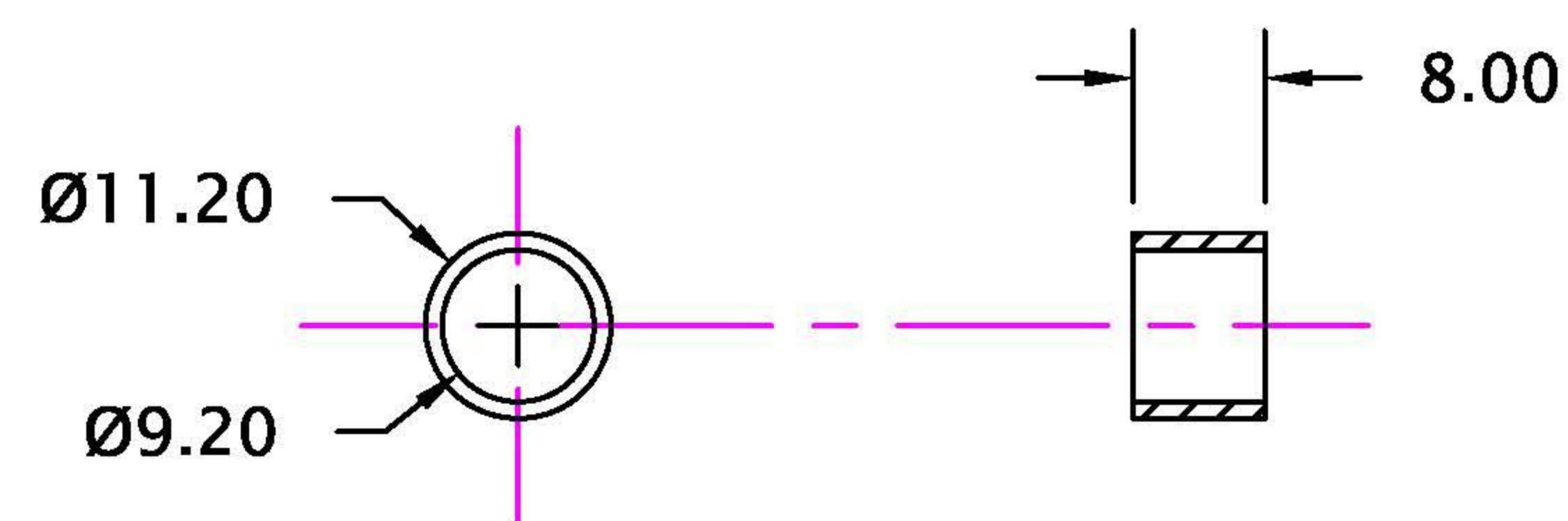
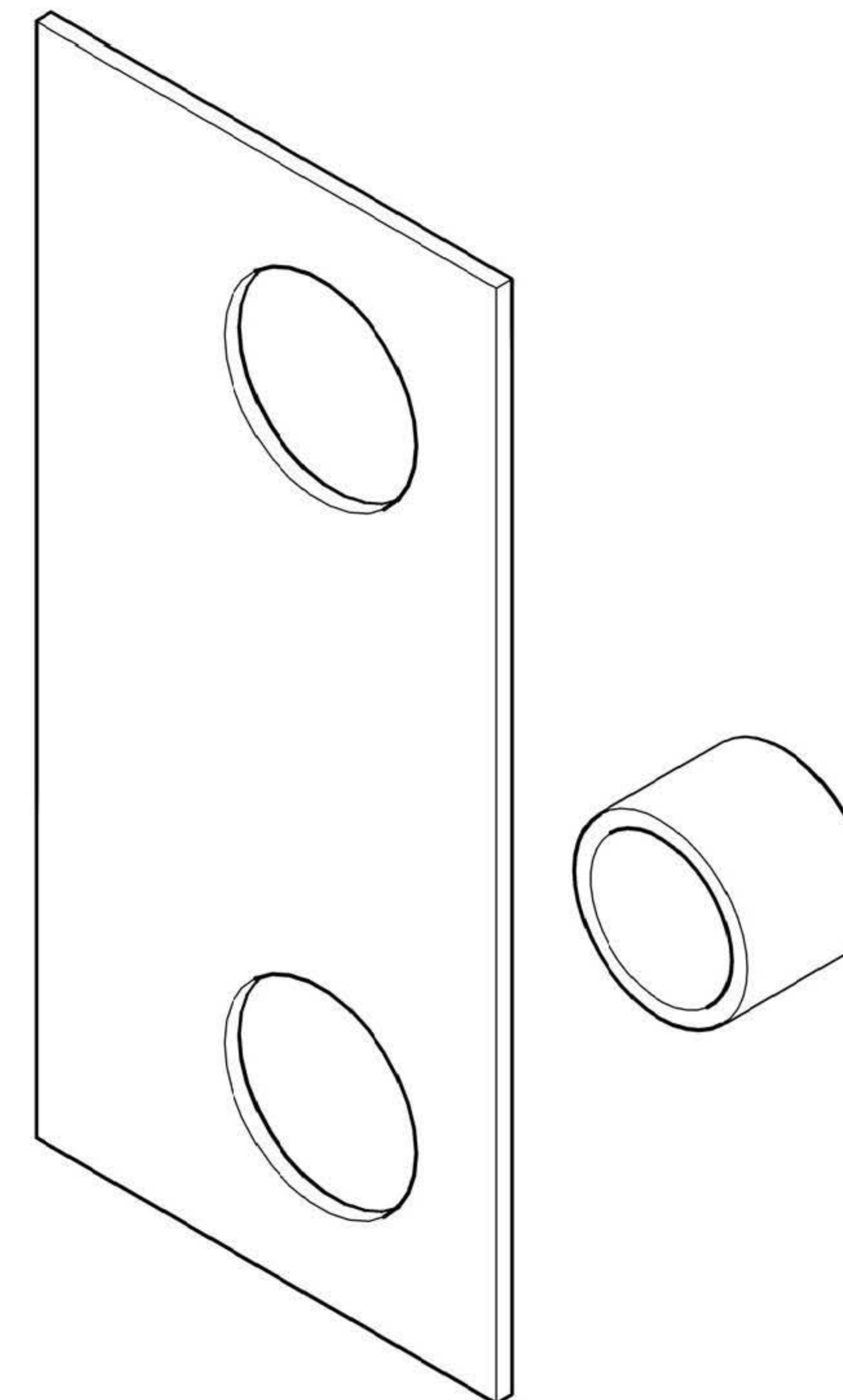
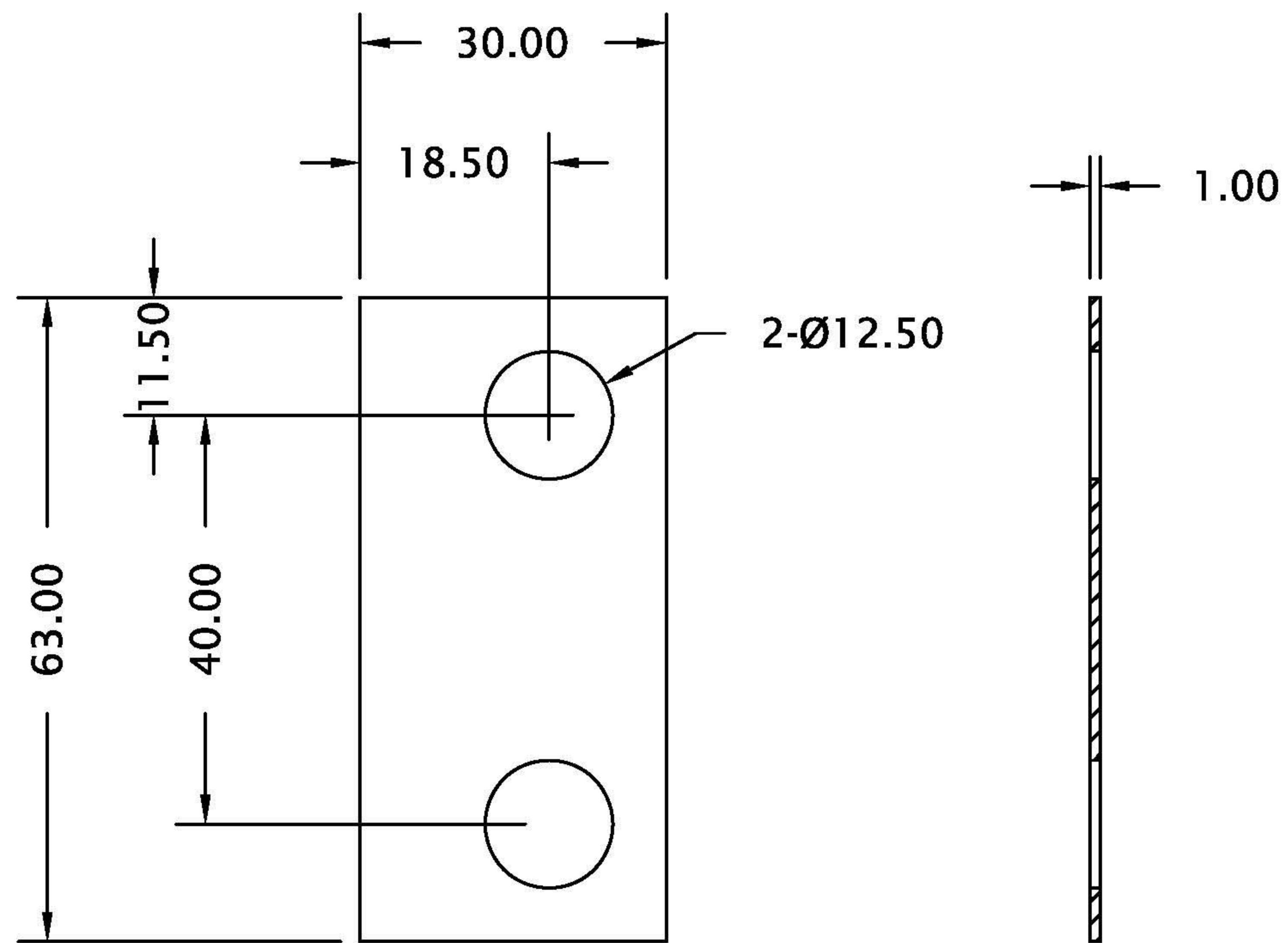


Tolerances (Unless otherwise stated)

Linear $\pm 1\text{ mm}$
Angular ± 1
Holes $+ 1\text{ mm}, - 0.0\text{ mm}$

Material: Brass
Finish:

Volume: 67263.6672
Weight: 0.6kg



Tolerances (Unless otherwise stated)	
Linear	± 1 mm
Angular	± 1
Holes	+ 1 mm, - 0.0mm
Material:	Brass
Finish:	
Volume:	67263.6672
Weight:	0.6kg